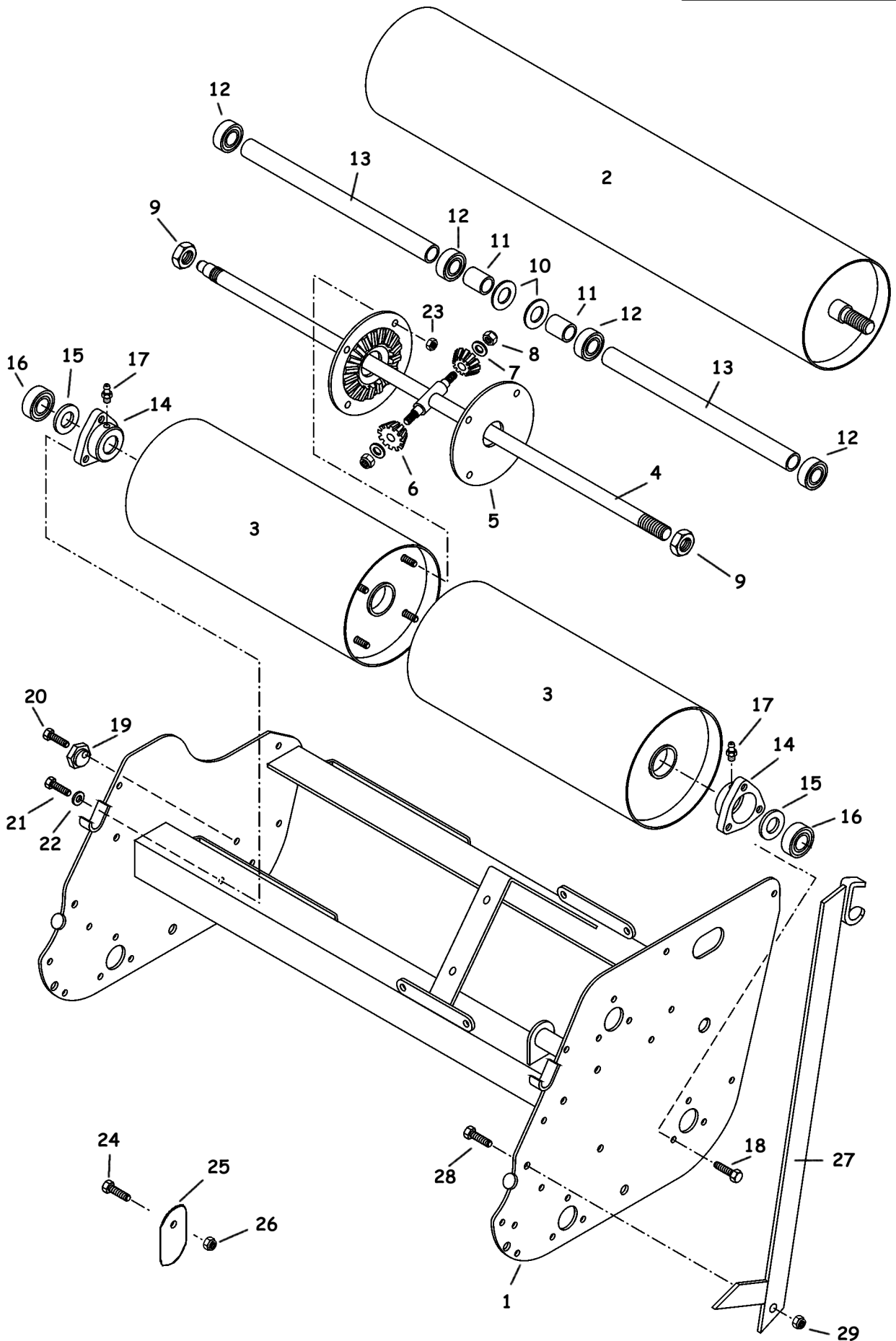


Parts Listing - 26NBCT

Ref	Part No	Description	Qty
1	24496N	Chassis	1
2	26469N	Sole Plate	1
3		Shear Blade	1
	26264	Lipped	
	26301	Rectangular	
	26300	Knife Edge	
4	00212	Bolt	2
5	00203	Spring Washer	2
6	00201	Nut	2
7	00211	Bolt	13
8	00278	Nut	13
9	17243	Adjuster Rod	2
10	24372	Adjuster Boss	2
11	00203	Bolt	2
12	10185	Nut	2
13	10186	Spring Washer	2
14	10185	Nut	2
15	26497N	Roller Tube	1
16	26244	Roller Shaft	1
17	18359m	Bearing Housing (3 hole)	2
18	00729	Bearing	2
19	26247	Spacer	2
21	00203	Bolt	3
22	10187	Spring Washer	3
23	24454MA	Front Roller Bracket	2
24	00213	Spring Washer	2
25	00201	Nut	2
26	20254	Bracket	2
27	26218	H/D Washer	2
28	10186	Spring Washer	4
29	10185	Nut	4
30	00465	Penny Washer	2
31	10187	Spring Washer	2
32	10188	Nut	2
33		Cutting Cylinder	1
	26256	6 Blade	
	26259	9 Blade	
	26312	9 Blade	
34	24270m	Bearing Housing	2
35	00210	Grease Nipple	2
36	24246	O'Ring	2
37	00433	Washer	2
38	24404m	Bearing	2
39	00203	Bolt	3
40	24374	Bronze Cover	1

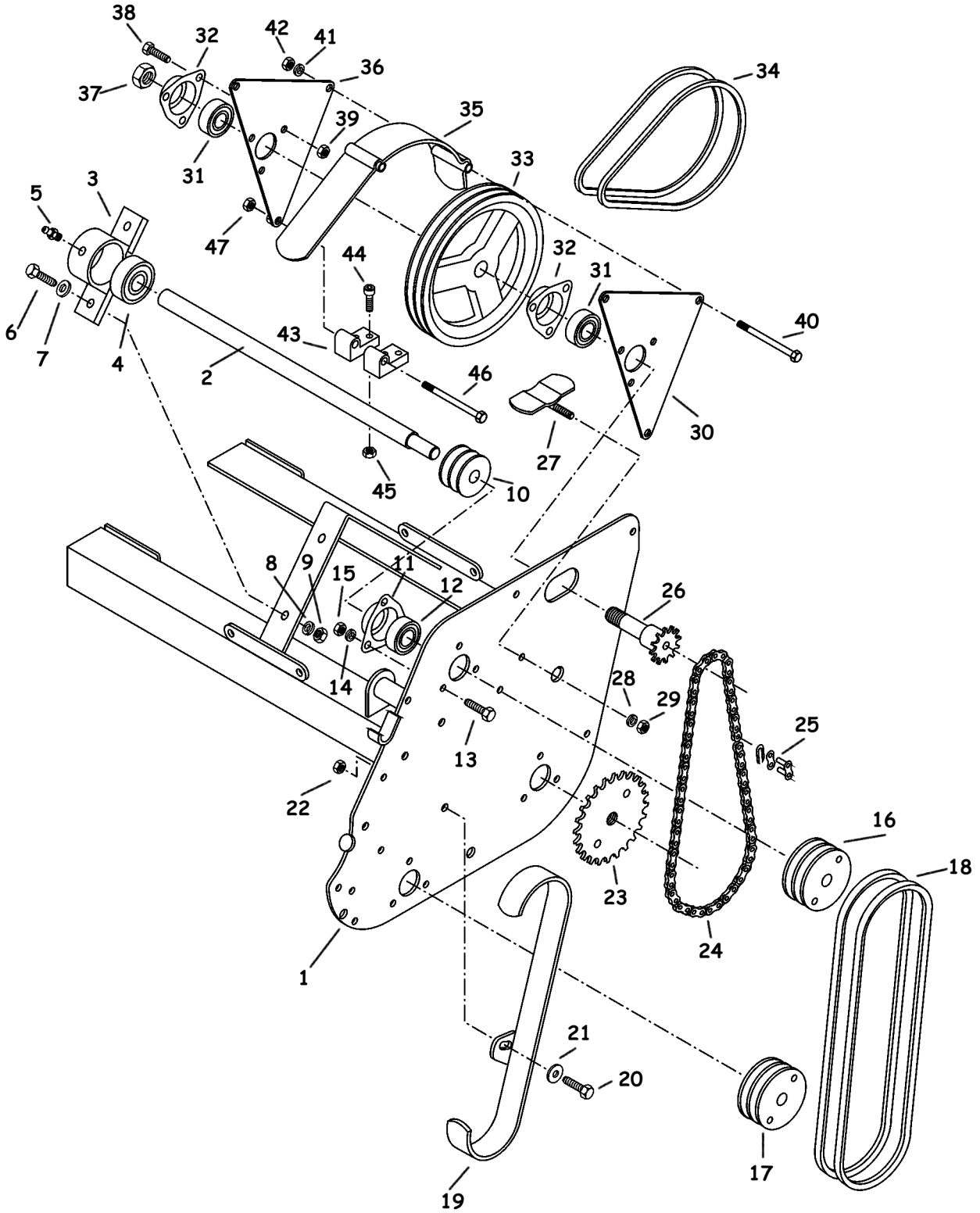
Parts Listing - 26NBCT

Ref	Part No	Description	Qty
41	00169	Bolt (through Bronze cover)	3
42	20275	Hand Nut	2
43	20324	Bracket - Adjuster Screw	1
44	00169	Bolt	2
45	10188	Nut	4
46	10187	Spring Washer	4
47	26323	Height Screw	1
48	00201	Nut	5
49	00213	Spring Washer	5
50	00187	Flat Washer	3
51	26321	Bracket	1
52	00203	Bolt	2
53	30323	Side Plate + Jig	1
54	26418	Tie Rod End	1
55	00157	Bolt	1
56	00210	Grease Nipple	1
57	26322N	Shaft - Pivot	1
58	26325	Spacer - 12mm	1
59	26320N	Shaft - Roller	1
60	26324	Spacer - 8mm	1
61	30324	Clamp Washer	1
62	30319	Eccentric Nut	1



Parts Listing - 26NBCT

Ref	Part No	Description	Qty
1	24496N	Chassis	1
2		Roller Complete	1
	24333	Solid Roller	
	24481	Diff Roller - Inc 3-13	
3	24481/01	Roller Half	2
4	24480/01	Roller Shaft	1
5	24488CI	Crown Gear	2
6	24489CI	Pinion Gear (With Bush)	2
	24504	Replacement Bush	2
7	00206	Washer	2
8	00327	Nut	2
9	00141	Nut	2
10	00142	Washer	As Req
11	24493	Spacer	2
12	00468	Bearing	4
13	24487	Spacer	2
14	24270M	Bearing Housing - Bronze	2
15	00433	Washer	2
16	24404M	Bearing	2
17	00210	Nipple	2
18	00203	Bolt	3
19	00315/5	Eccentric Nut	1
20	00169	Bolt (through Eccentric)	1
21	00203	Bolt	2
22	10187	Spring Washer	6
23	10185	Nut	4
24	00214	Bolt	1
25	00100c/w	Cover - Counter Weight Hole	1
26	10188	Nut	1
27	00361	Arms - Hopper	1 pr
28	00152	Bolt	2
29	10162	Nut	2

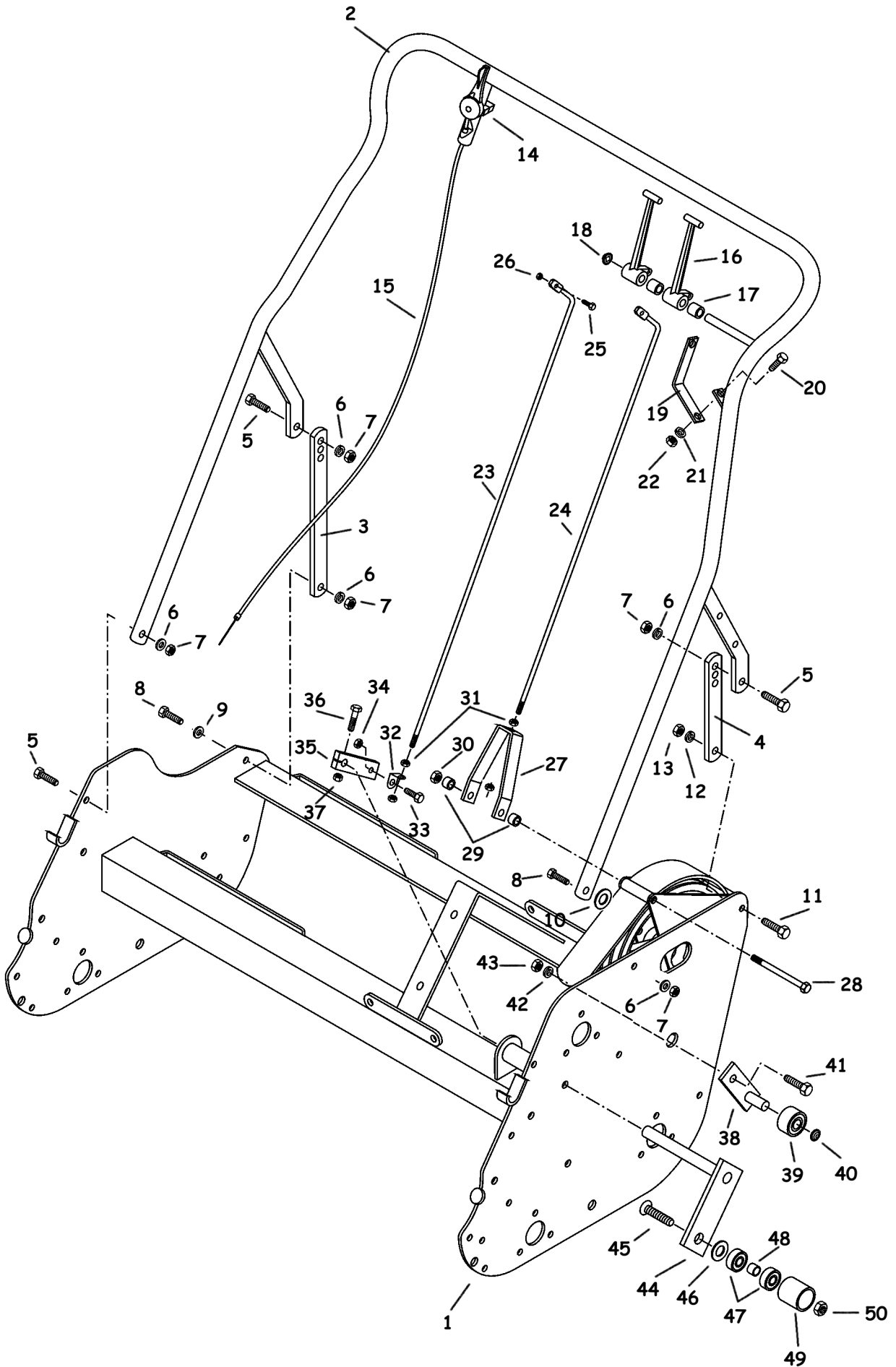


Parts Listing - 26NBCT

Ref	Part No	Description	Qty
1	24496N	Chassis	1
2		Counter Shaft	1
	24468/5	5hp Engine	
	24468/8	8hp Engine	
3	24500/1	Pillow Block	1
4	24500/2	Bearing	1
5	00210	Nipple	1
	24500	Block/Bearing Assy (inc 3-5)	
6	00153	Bolt	2
7	10161	Washer	2
8	10186	Spring Washer	2
9	10185	Nut	2
10	00448m	Pulley	1
11	18359m	Bearing Housing (3 hole)	1
12	00729	Bearing	1
13	00214	Bolt	3
14	10187	Spring Washer	3
15	10188	Nut	3
16	00394	Pulley - Counter shaft - R/H	1
17	00395	Pulley - Counter shaft - L/H	1
18	36500	Belt - High Power	2
19	30253	Belt Guard	1
20	00203	Bolt	1
21	10200	Washer	1
22	10188	Nut	1
23	30519	Sprocket	1
24	40-1	Chain	2 ft
25	26/110046	Joiner	1
26	30498	Sprocket & Shaft	1
27	00149	Belt Guide	1
28	10187	Spring Washer	1
29	10188	Nut	1
30	00155	Tri Plate - L/H	1
31	00729	Bearing	2
32	18359m	Housing (3 hole)	2
33	00404m	Pulley	1
34	00401	Belt	2
35	00151	Belt Guard	1
36	00156	Tri Plate - R/H	1
37	76052	Nut	1
38	00214	Bolt	6
39	00331	Nut	6
40	00461	Bolt	2
41	00184	Spring Washer	2

Parts Listing - 26NBCT

Ref	Part No	Descripton	Qty
42	10179	Nut	2
43	00191	Pivot Block	2
44	10184	Bolt	4
45	10179	Nut	4
46	00453	Bolt	1
47	10185	Nut	1



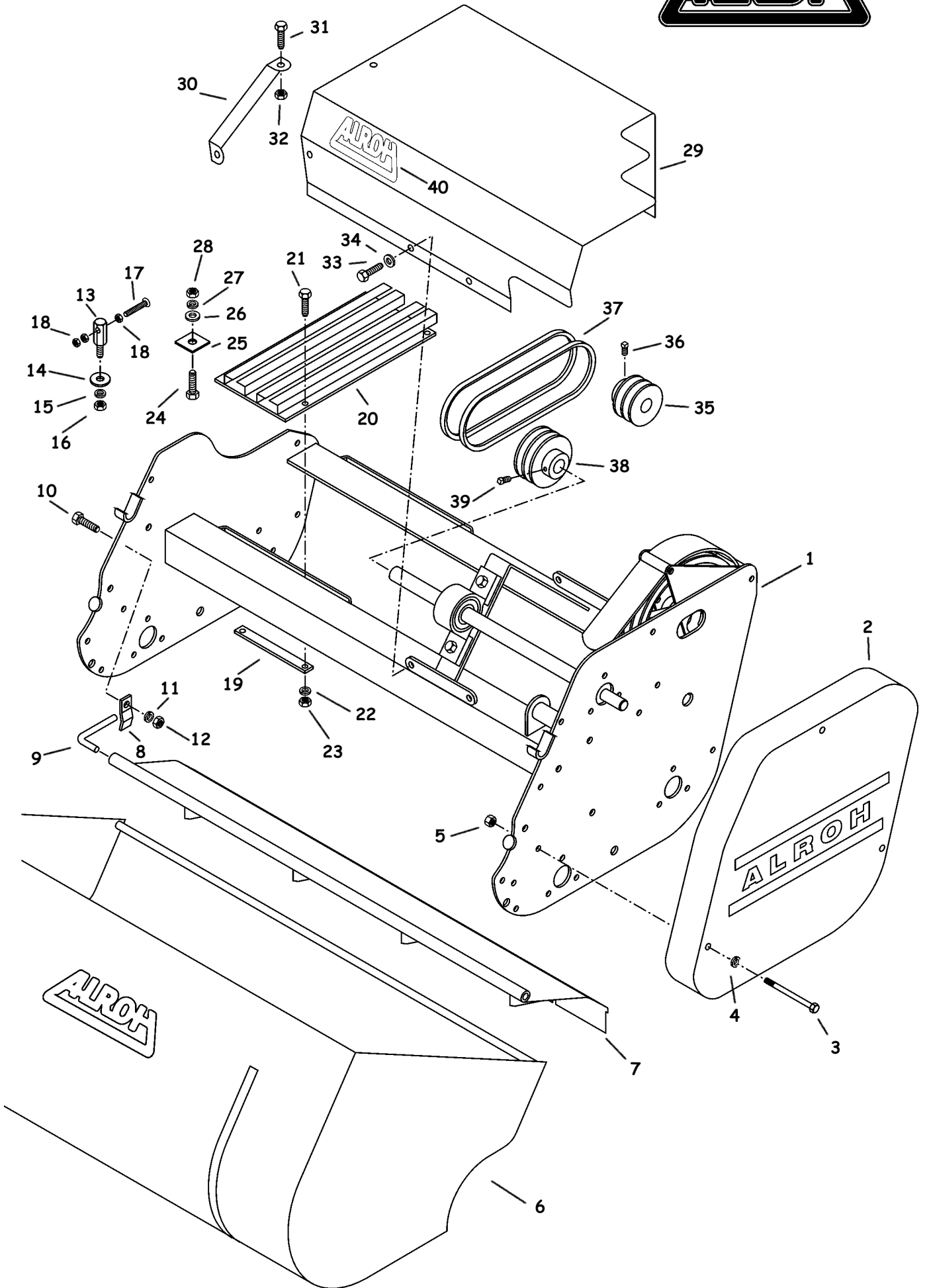
Parts Listing - 26NBCT

Ref	Part No	Description	Qty
1	24496N	Chassis	1
2	26246	Handle	1
3	30293	Stay - Long	1
4	30292	Stay - Short	1
5	10154	Bolt	3
6	10186	Spring Washer	5
7	10185	Nut	5
8	00152	Bolt	2
9	10161	Washer	1
10	26218	H/D Washer	1
11	00169	Bolt	1
12	10187	Spring Washer	1
13	10188	Nut	1
14	00241	Controller	1
15	17281	Cable	1
16	17294	Clutch Lever	2
17	36247	Spacer	2
18	00985	Dome Cap	1
19	30363	Bracket	1
20	00214	Bolt	1
21	10187	Spring Washer	1
22	10188	Nut	1
23	24479	Rod - Cylinder Engage	1
24	24478	Rod - Roller Engage	1
25	10182	Bolt	2
26	10176	Nut	2
27	00618	Yoke	1
29	00624	Spacer	2
30	10177	Nut	1
31	10188	Nut	4
32	00077	L' Plate	1
33	00169	Bolt	1
34	00331	Nut	1
35	00432	Clutch Arm	1
36	00739	Bolt	1
37	00740	Nut	1
38	24387	Tensioner Bracket	1
39	24388	Roller	1
40	00985	Dome Cap	1
41	00626	Bolt	1
42	10186	Spring Washer	1
43	00445	Nut	1

Parts Listing - 26NBCT

Ref	Part No	Description	Qty
44	00423	Pivot Arm	1
45	26215	C/sunk Bolt	1
46	00080	Washer	1
47	00990	Bearing	2
48	00988	Spacer	1
49	15298	Roller	1
50	00678	Nut - Half	1

MODEL NBCT MOWER Sht 5 of 5



Parts Listing - 26NBCT

Ref	Part No	Description	Qty
1	24496N	Chassis	1
2	24462	Chain Case	1
3	00359	Bolt	3
4	00256	Washer - Flat	3
5	10176	Nut	3
6	26294RC	Hopper	1
7	26465N	Deflector	1
8	00204	Clamp	2
9	00216	Link	2
10	00203	Bolt	2
11	10187	Spring Washer	2
12	10188	Nut	2
13	24372	Adjuster Boss	1
14	26218	Washer - H/D	1
15	10186	Spring Washer	1
16	10185	Nut	1
17	00302	Bolt	1
18	10185	Nut	3
19	30252/1	Mount Plate	2
20	30265	Engine Plate	1
21	00177	Bolt	4
22	10187	Spring Washer	4
23	10188	Nut	4
24	26217	Bolt	4
25	30252/1	Plate	4
26	10200	Flat Washer	4
27	10187	Spring Washer	4
28	10188	Nut	4
29		Cover - Belt + Pulley	1
	26494/5	5hp Engine	
	26494/8	8hp Engine	
30	30364	Bracket - Support	1
31	00214	Bolt	2
32	10188	Nut	2
33	00214	Bolt	4
34	10200	Washer - Flat	4
35		Engine Pulley	1
	24510	3" x 3a x 22mm ID	
	24512	3" x 2a x 3/4 ID	

Parts Listing - 26NBCT

Ref	Part No	Descripton	Qty
36	00254	Sq Head Bolt	2
37	00106	Belt	2 or 3
38		Pulley - Countershaft	1
	24509	5" x 3a x 25mm	
	24511	5" x 2a x 25mm	
39	00254	Sq Head Bolt	2
40	00504	Alroh Decal	1

Not Illustrated

		Model Plate	1
	00554	Rivet	2